

The information on this drawing is proprietary and may not be copied or transmitted in any way without the written permission of Basin St. Design

Basin St. Design
 The information contained in this drawing is free for use under the Attribution-NonCommercial-Share Alike 2.5 Generic License.

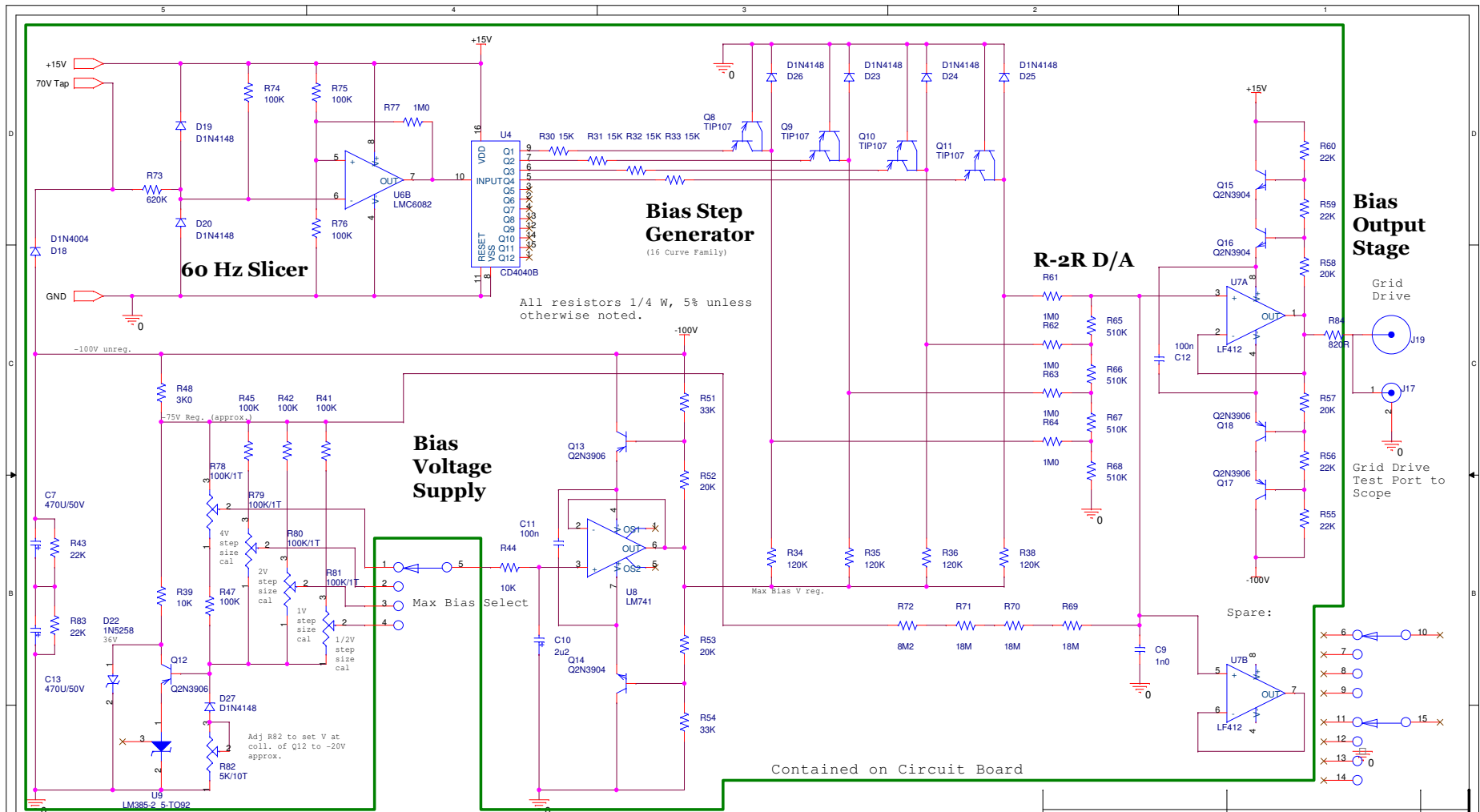
Project Name/Client: BSD
 Project no.: 0009
 Date: Sunday, December 12, 2010

Title: Tube Curve Tracer
 Designed: T. Bowland
 File Ref: TubeCurveTracer-1.dsn B

PCB Ver.: n/a
 Drwn: T. B.
 Sheet: 1 of 2

Rls Date:
 Initials:

ECO No.	Date	By
---------	------	----



Contained on Circuit Board

The information on this drawing is proprietary and may not be copied or transmitted in any way without the written permission of Basin St. Design

Basin St. Design	Project Name/Client	BSD	Title:	Tube Curve Tracer	PCB Ver.:	n/a	Rls Date:
	Project no.:	0009	Designed:	T. Bowland	Drwn:	T. B.	Initials:
	Date:	Sunday, December 12, 2010	File Ref:	TubeCurveTracer-1.dsn	Sheet:	2 of 2	

ECO No.	Date	By